

AWWA C515 (NRS) Gate Valve

Specification Submittal Sheet



Flomatic Corporation

Model 115PO

Sizes: 2" - 12"

Push-On x Push-On (I.P.S. PVC Pipe) Connection



FEATURES:

Sizes: □ 2" □ 2 1/2" □ 3" □ 4" □ 6"
 □ 8" □ 10" □ 12"

Max. working water pressure 250 PSI (1723 kPa)
 Max. working water temperature 140°F (60°C)
 Hydrostatic test pressure 400 PSI (2758 kPa)
 End connection Gasket end for IPS PVC O.D. pipe
 Optional hand wheel add "HW" to end of part #
 Opens Left turn

STANDARDS COMPLIANCE:

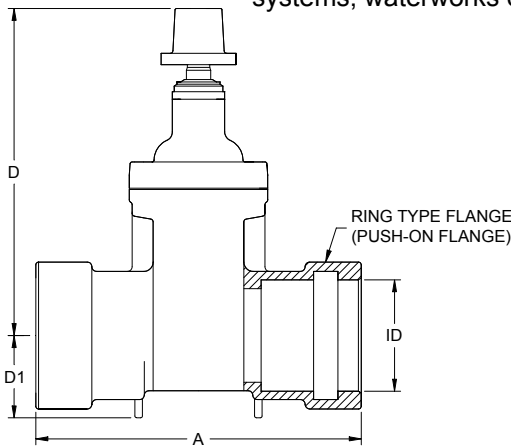
- AWWA Compliant C-515

MATERIALS:

Valve Body & Covers Ductile Iron ASTM A536 Gr 65-45-12
 Coating AWWA compliant C-550 & FDA Compliant (Inside & Out)
 Wedge Ductile Iron ASTM A536 Gr 65-45-12 With EPDM coating
 Elastomers EPDM FDA approved
 Fasteners Zinc plated steel ASTM A307 Grade B & 304 Stainless Steel
 Stem 420 Stainless Steel

APPLICATION:

Designed for installation on potable water lines, irrigation systems, waterworks connections and fire systems.



Size		Part #	A		D		D1		ID		WEIGHT	
Inch	mm		Inch	mm	Inch	mm	Inch	mm	Inch	mm	lbs	kg
2	50	8560RT	10-1/4	260	11-1/2	290	2-3/8	60	2-1/2	64	24	11
2-1/2	65	8561RT	10-1/2	267	12-13/32	315	2-61/64	75	3	76	42	19
3	80	8562RT	12	305	16-5/8	346	3-9/64	80	3-5/8	92	44	20
4	100	8563RT	13-3/4	349	15-9/16	395	3-35/64	90	4-11/16	119	69	31
6	150	8564RT	16-29/32	429	20-29/64	520	4-33/64	115	6-3/4	171	119	54
8	200	8565RT	18-1/2	470	22-1/4	565	6-7/64	155	8-3/4	222	203	92
10	250	8566RT	21-1/4	540	24-11/32	618	7-3/32	180	10-29/32	277	278	126
12	300	8567RT	26-1/2	673	27-19/32	701	8-1/8	206	12-29/32	328	421	191

WARRANTY: Flomatic valves are guaranteed against defects of materials or workmanship when used for the services recommended. If in any recommended service, a defect develops due to material or workmanship, and the device is returned, freight prepaid, to Flomatic Corporation within 12 months from the date of purchase, it will be repaired or replaced free of charge. Flomatic Corporations' liability shall be limited to our agreement to repair or replace the valve only.

Flomatic Corporation, 15 Pruyn's Island, Glens Falls, New York 12801
 Phone: 518-761-9797 Fax: 518-761-9798 www.flomatic.com



October 23, 2006 Rev. 9 (2/18)
 Specification Sheet NRSPO-C515