

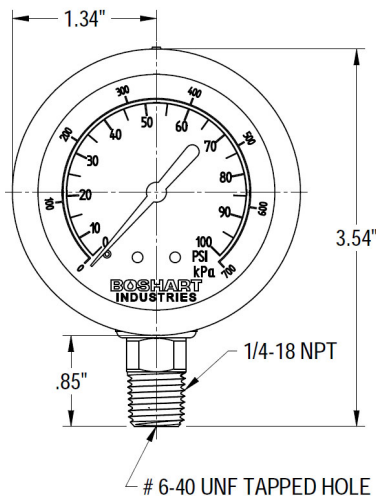
FEATURES:

Pressures: 100 200 300 400

Pressure rating Max 75% of Full Scale Value
 Temperature rating Max 140°F (60°C)
 Accuracy ±15% F.S.V.
 End connection (MNPT) ANSI/ASME B1.20.1

STANDARDS COMPLIANCE:

Complies with California Low Lead Plumbing Laws
NSF/ANSI 372
ASME B40-1

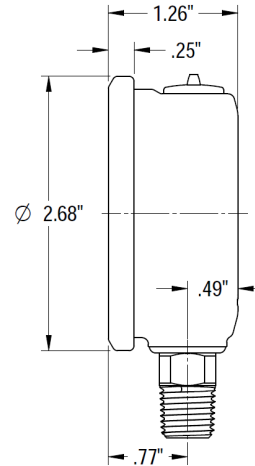


MATERIALS:

Case / Ring	304 Stainless Steel
Dial	White Aluminum
Lens	Polycarbonate
Connection	Brass
Fill Liquid	Glycerin
Movement	Brass
Pointer	Aluminum

APPLICATION:

The Flomatic 2-1/2" Pressure Gauges are a general purpose gauge for potable water pumps & systems. They are suitable for most commercial air, water and steam services. For use with fluids which will not clog connection or corrode copper alloy.



NOTE:

Liquid filled gauges are sealed with a rubber plug to prevent leaking during shipment. Upon installation the tip of the plug **MUST** be cut off in order for the gauge to vent, a small hole allows for equalization of the internal gauge pressure to the atmospheric pressure.

FAILURE TO DO SO WILL ADVERSELY EFFECT THE FUNCTION OF THE GAUGE

Size		Part #	Range		Increments	NPT	Weight	
Inch	mm		PSI	kPa			lbs	kg
2-1/2	64	2-PG25-100G	0-100	0-700	1	1/4	.43	.20
2-1/2	64	2-PG25-200G	0-200	0-1400	2	1/4	.43	.20
2-1/2	64	2-PG25-300G	0-300	0-2000	5	1/4	.43	.20
2-1/2	64	2-PG25-400G	0-400	0-2800	5	1/4	.43	.20

WARRANTY: Flomatic valves are guaranteed against defects of materials or workmanship when used for the services recommended. If in any recommended service, a defect develops due to material or workmanship, and the device is returned, freight prepaid, to Flomatic Corporation within 12 months from the date of purchase, it will be repaired or replaced free of charge. Flomatic Corporations' liability shall be limited to our agreement to repair or replace the valve only.

Flomatic Corporation, 15 Pruyn's Island, Glens Falls, New York 12801
 Phone: 518-761-9797 Fax: 518-761-9798 www.flomatic.com