

# Control Valve Cycle Gard® IV Model CB152SST

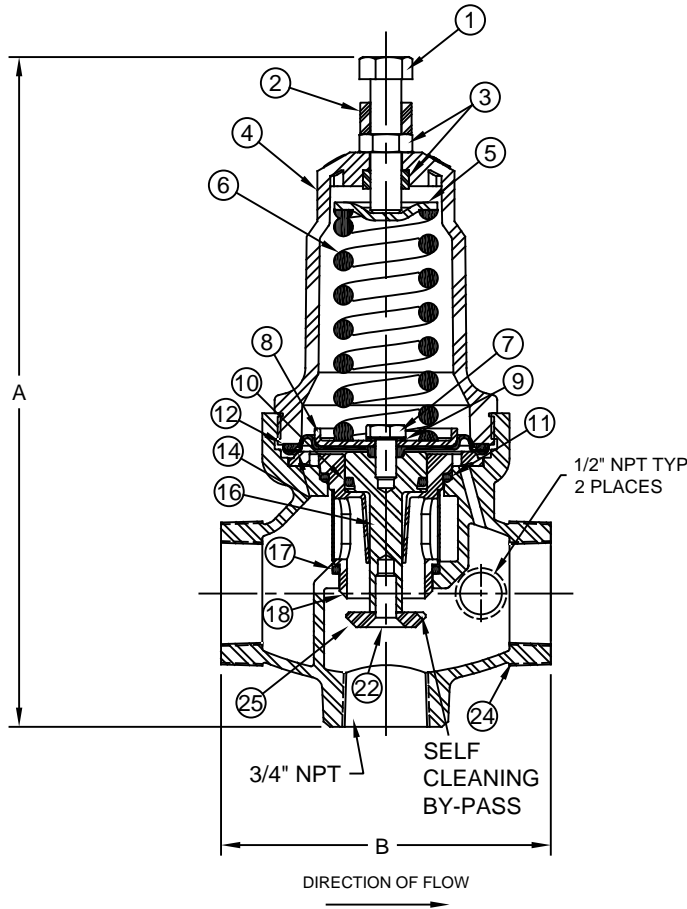


Flomatic Corporation

Sizes 1" / 25 mm  
Direct Acting Pump Control with Bosses



## Materials



Max Temp: 180°F (82°C)  
Max Inlet Pressure 400psi (27bar)

Item #	Qty	Description	Material	Item #	Qty	Description	Material
1	1	Adjusting Screw	Steel	11	1	O'Ring	Buna-n
2	1	Spacer	ABS	12	1	Diaphragm	Nitrile/Nylon
3	2	Jam Nut	Steel	14	1	Friction Ring	Brass C36000
4	1	Cover	Noryl	16	1	Stem	Stainless Steel 304
5	1	Spring Button	Steel	17	1	O'Ring	Buna-n
6	1	Spring	Steel	18	1	Cartridge	Delrin
7	1	HHCS	Stainless Steel 18-8	22	1	Screw	Stainless Steel 18-8
8	1	Diaphragm Plate	Steel	24	1	Body	Stainless Steel 304
9	1	Tooth Lock Washer	Steel	25	1	Disc (Slotted)	Stainless Steel 303
10	1	O'Ring	Buna-n				

## Dimensions

Size		Part #	A		B		C		SPRING RANGE	END CONNECTION	Weight	
inch	mm		inch	mm	inch	mm	inch	mm			lbs	kg
1	25	CB152001SST	8-1/8	206	4	102	5-27/32	149	15-75 psi	1" x 1-1/4" NPT	4.0	1.8
1	25	CB152101SST	8-1/8	206	4	102	5-27/32	149	15-150 psi	1" x 1-1/4" NPT	4.0	1.8

Flomatic Corporation can accept no responsibility for possible errors in catalogues, brochures and other printed material. Flomatic Corporation reserves the right to alter its products without notices. This also applies to product already agreed. All trademarks in this material are property of the respective companies. All right reserved. ©2019 Flomatic Corporation. The drawings & information on this drawing sheet are the sole & exclusive property of Flomatic Corporation. Any reproduction, distribution, display or use of these drawings or information in whole or in part without written authorization of Flomatic Corporation is strictly prohibited. [www.flomatic.com](http://www.flomatic.com)



June 10, 2019  
Dwg No: SCB152SS Rev: 0

FLOMATIC CORPORATION  
GLENS FALLS, N.Y. 12801  
PHONE (518) 761-9797  
FAX (518) 761-9798