

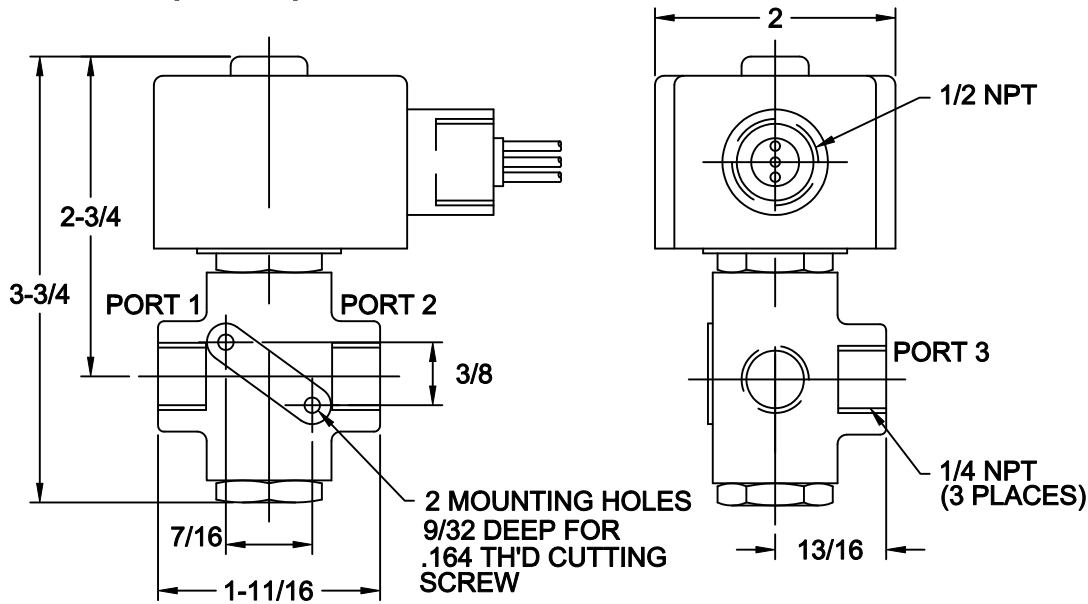
Control Valve Solenoid 3-Way Direct Acting



Flomatic Corporation

Sizes 1/4" / 8 mm

Material (Brass)



VALVE PARTS IN CONTACT WITH FLUIDS

- BODY - BRASS
- SEALS & DISCS - BUNA-N
- DISC HOLDER - ACETAL
- CORE TUBE - 305 S.S.
- CORE & PLUGNUT - 430F S.S.
- CORE SPRINGS - 302 S.S.
- SHADING COIL - COPPER
- CORE GUIDE - ACETAL

120 VOLT AC
 CLASS OF COIL INSULATION:F
 NORMALLY CLOSED WHEN DE-ENERGIZED
 *MANUALLY OPERATED UNIT AVAILABLE PART # 8862

APPROVALS

CSA CERTIFIED
 UL LISTED GENERAL PURPOSE VALVES

Dimensions

Size		Part #	Orifice		Watt Rating
Inch	mm		Inch	mm	
1/4	8	9049	1/16	1.6	17.1
1/4	8	*9023	3/32	2.4	10.1
1/4	8	9011	1/8	3.2	10.1

Flomatic Corporation can accept no responsibility for possible errors in catalogues, brochures and other printed material. Flomatic Corporation reserves the right to alter its products without notices. This also applies to product already agreed. All trademarks in this material are property of the respective companies. All right reserved. ©2011 Flomatic Corporation. The drawings & information on this drawing sheet are the sole & exclusive property of Flomatic Corporation. Any reproduction, distribution, display or use of these drawings or information in whole or in part without written authorization of Flomatic Corporation is strictly prohibited.