

Control Valve

NPT

Model C000B



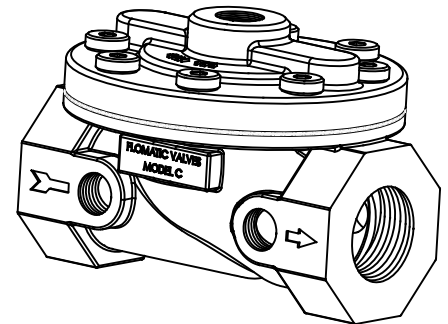
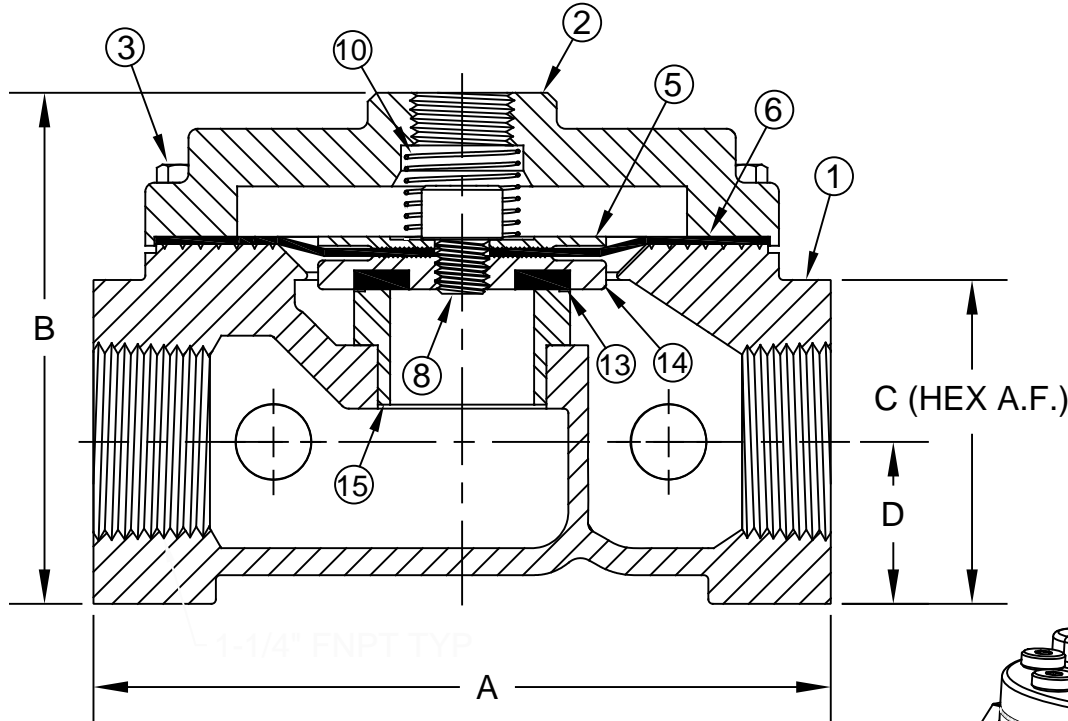
Flomatic Corporation

Sizes 1-1/4" / 35 mm

LEAD FREE
NSF/ANSI 61



Materials (Globe Style)



Max Temp 180°F (82°C)
Max Pressure 400psi (28bar)

Item #	Qty	Description	Material	ASTM	Item #	Qty	Description	Material	ASTM
1	1	Body w/Tag & Plug (NSF61 epoxy)	Ductile Iron	A-536	8	1	Stem (Bolt)	Stainless Steel	302
2	1	Cover (NSF61 epoxy)	Ductile Iron	A-536	10	1	Spring	Stainless Steel	302
3	8	Cover Bolt	Stainless Steel	304	13	1	Seat Seal*	EPDM*	98206
5	1	Diaphragm Plate	Stainless Steel	304	14	1	Seat Plate	Stainless Steel	304
6	1	Diaphragm*	EPDM/Nylon*	07859	15	1	Seat Ring	Stainless Steel	304

Dimensions (FNPT)

*OPTIONAL BUNA-N OR VITON AVAILABLE

Size		Part #	A		B		C (Hex A.F.)		D		Weight	
inch	mm		inch	mm	inch	mm	inch	mm	inch	mm	lbs	kg
1-1/4	32	8472602SM	5-1/8	130	3-35/64	90	2-1/4	57	1-1/8	29	4.7	2.2

Flomatic Corporation can accept no responsibility for possible errors in catalogues, brochures and other printed material. Flomatic Corporation reserves the right to alter its products without notices. This also applies to product already agreed. All trademarks in this material are property of the respective companies. All rights reserved. ©2020 Flomatic Corporation. The drawings & information on this drawing sheet are the sole & exclusive property of Flomatic Corporation. Any reproduction, distribution, display or use of these drawings or information in whole or in part without written authorization of Flomatic Corporation is strictly prohibited. www.flomatic.com



November 6, 2017
Dwg No: S1-25RPNPT_SM Rev A (1/20)

FLOMATIC CORPORATION
GLENS FALLS, N.Y. 12801
PHONE (518) 761-9797
FAX (518) 761-9798